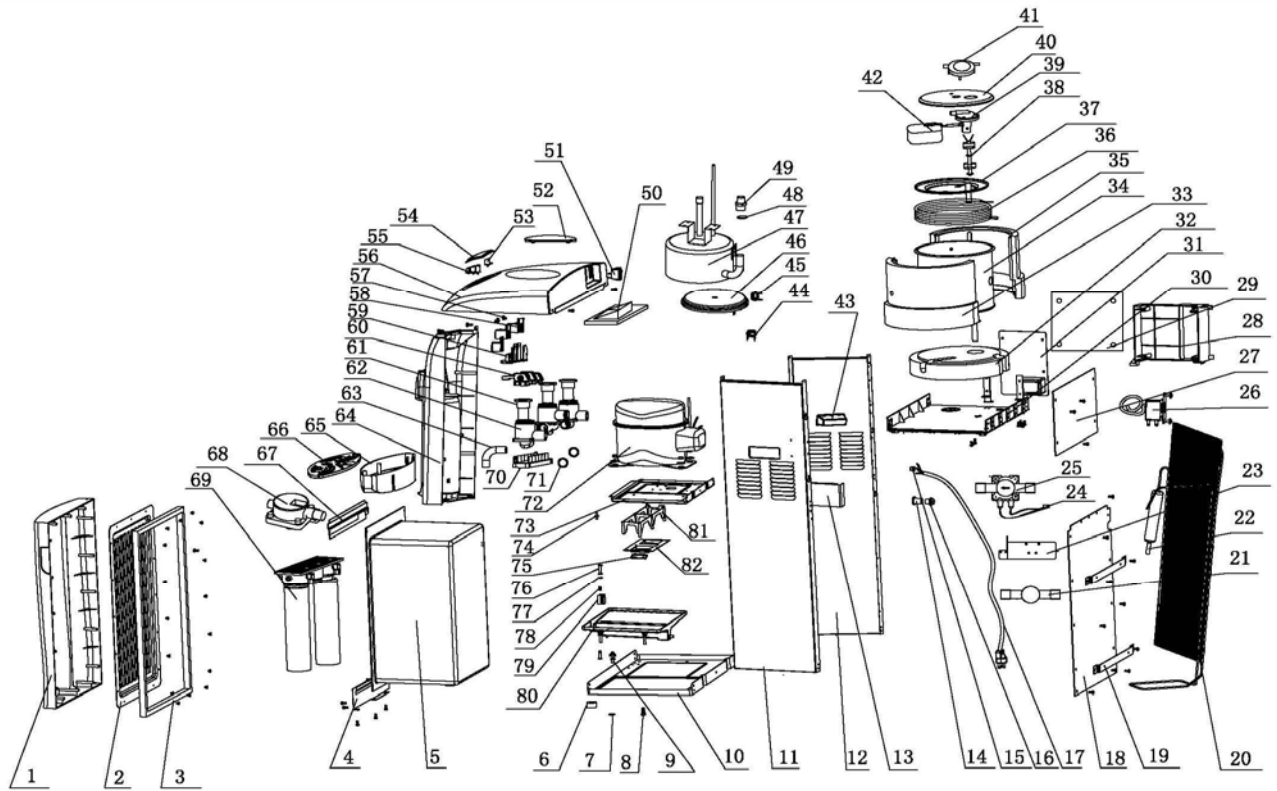




**MODEL NUMBER VWD8000W-F**  
**EXPLODED PARTS VIEW AND PARTS DETAILS**

Revision 01 Date July 18, 2007

ITEM NO.	PART DESCRIPTION	PART NUMBER
1	Refrigerator Door	zz.8000-F.01
2	Door Liner - Refrigerator Door	zz.8000-F.02
3	Door Gasket - Refrigerator	zz.8000-F.03
4	Lower Quickset	zz.8000-F.04
5	Refrigerator Cabinet Liner	zz.8000-F.05
6	Fixed Legs	zz.8000-F.06
7	Washer	zz.8000-F.07
8	Screw Type M5*10	zz.8000-F.08
9	Water Level Switch	zz.8000-F.09
10	Base Pan	zz.8000-F.10
12	Left Side Panel - White	zz.8000-F.11
11	Right Side Panel - White	zz.8000-F.12
13	Reinforcing Bracket - Side Panel	zz.8000-F.13
14	Drain Valve	zz.8000-F.14
15	Drain Cap	zz.8000-F.15
16	Power Cord Connector	zz.8000-F.16
17	Power Cord	zz.8000-F.17
18	Lower Service Panel - Rear	zz.8000-F.18
19	Support Brackets - Condenser	zz.8000-F.19
20	Condenser Coil	zz.8000-F.20
21	Water Outlet Switch	zz.8000-F.21
22	Filter Drier	zz.8000-F.22
23	Shelf Support - Water Outlet Valve Assy	zz.8000-F.23
24	Wiring Harness - Water Outlet Valve Assy	zz.8000-F.24
25	Water Outlet Valve Assy	zz.8000-F.25
26	Thermostat Control	zz.8000-F.26
27	Upper Service Panel - Rear	zz.8000-F.27
28	Housing - PC Board	zz.8000-F.28
30	Housing Cover - PC Board	zz.8000-F.29
29	Upper Mounting Shelf - Cold Tank	zz.8000-F.30
31	P.C. Board Assy	zz.8000-F.31
32	Bottom Foam - Cold Tank	zz.8000-F.32
33	Heat Preservation Foam (left) Of Water Tank	zz.8000-F.33
34	Cold Water Tank	zz.8000-F.34
35	Heat Preservation Foam (right) Of Water Tank	zz.8000-F.35
36	Evaporator Coil Assy (Cold Tank)	zz.8000-F.36
37	Cold Tank Baffle Plate	zz.8000-F.37
38	Water Level Switch	zz.8000-F.38
39	Float Assembly	zz.8000-F.39
40	Water Tank Cover	zz.8000-F.40
41	Flow Meter	zz.8000-F.41
42	Float	zz.8000-F.42
43	Carry Handle	zz.8000-F.43
44	Cycling Thermostat TBC (Lower/Upper) Hot	zz.8000-F.44
45	Hi-Limit Thermostat TBC (Lower/Upper) Hot	zz.8000-F.45
46	Heater Element Assy	zz.8000-F.46
47	Hot Water Tank Assy	zz.8000-F.47
48	Seal Ring	zz.8000-F.48
49	Check Valve	zz.8000-F.49
50	Light Panel	zz.8000-F.50
51	Power On/Off Switch - Hot Water Tank	zz.8000-F.51
52	Seal -Top Cover	zz.8000-F.52
53	EZ- Heat Switch Button	zz.8000-F.53
54	LCD Display Screen	zz.8000-F.54
55	Function Button	zz.8000-F.55
56	Top Cover - White	zz.8000-F.56
57	Child Safety Lock	zz.8000-F.57
58	Support Bracket - Water Buttons	zz.8000-F.58
59	Water Button Hot/Cool/Room Temp Temp.	zz.8000-F.59
60	Included with Item # 60	zz.8000-F.60
61	Included with Item # 60	zz.8000-F.61
62	Water Valve Assy (Hot/ Room/Cold)	zz.8000-F.62
63	Water Outlet Tube	zz.8000-F.63
64	Front Panel White - Water Outlet	zz.8000-F.64
65	Drip Tray - White	zz.8000-F.65
66	Drip Tray Cover - White	zz.8000-F.66
67	Upper Quickset	zz.8000-F.67
68	Pressure Release Switch	zz.8000-F.68
69	Filters (Sold as a Set) Pre-Filter / Carbon Filter	zz.8000-F.69
70	Support Bracket - Water Valves	zz.8000-F.70
71	Seal Ring	zz.8000-F.71
72	Compressor	zz.8000-F.72
73	Mounting Plate - Compressor	zz.8000-F.73
74	Hinge Pin - Upper	zz.8000-F.74
75	Filter Support	zz.8000-F.75
76	Seal	zz.8000-F.76
77	Seal Ring	zz.8000-F.77
78	Seal Plug	zz.8000-F.78
79	Lower Flume	zz.8000-F.79
80	Drip Tray	zz.8000-F.80
81	Support Bracket - Filter	zz.8000-F.81
82	Hanging Support - Filter	zz.8000-F.82



VWD8000-F